

Ortho CAPE

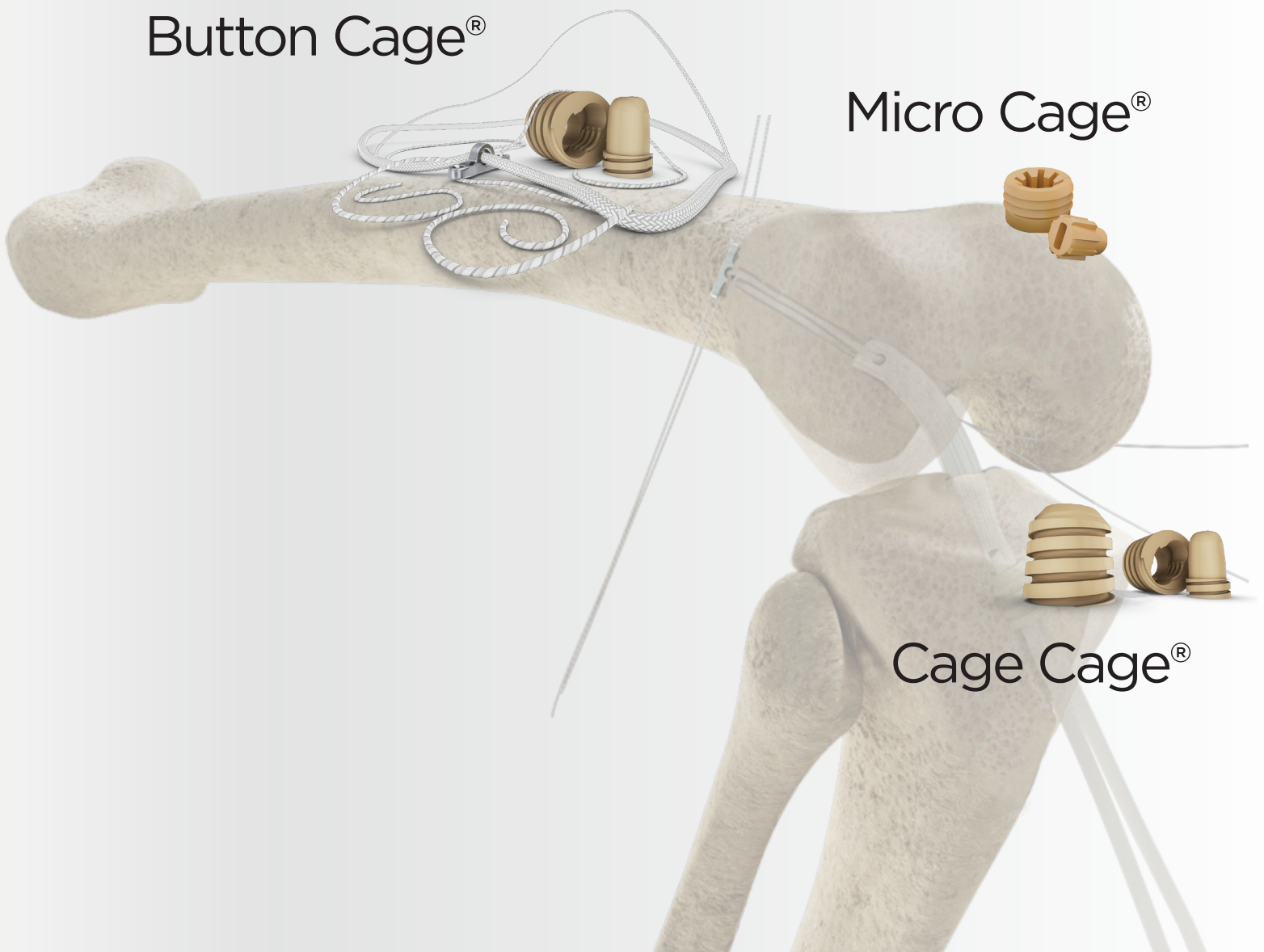
25 years
of
hindsight

DT4 FIXATION SYSTEM

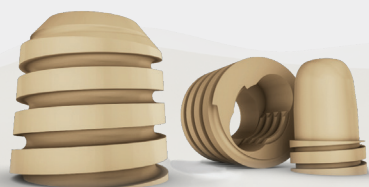
Button Cage[®]

Micro Cage[®]

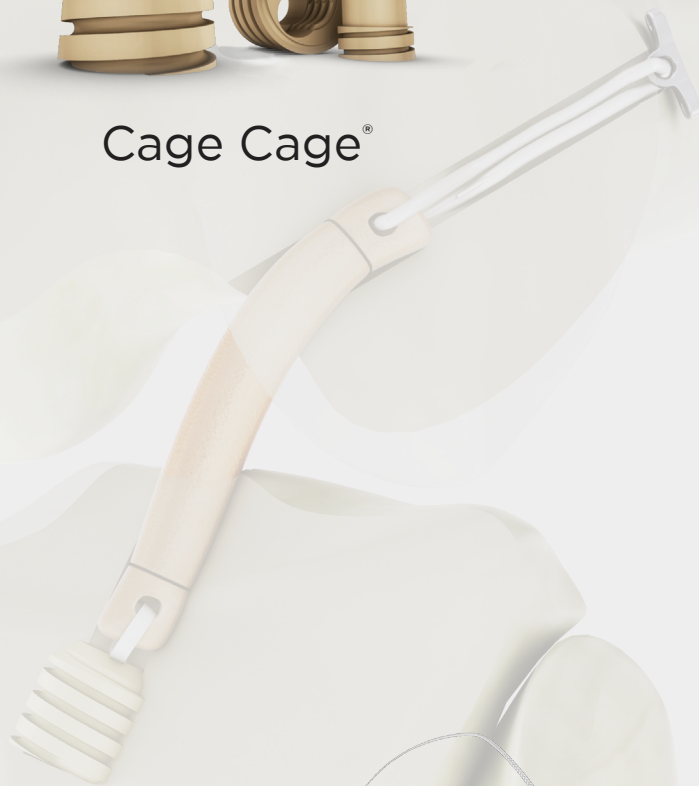
Cage Cage[®]



DT4 Anterior Cruciate Ligament Reconstruction



Cage Cage®



Button Cage®

SCIENTIFIC COMMUNICATIONS

Anterior Cruciate Ligament Reconstruction DT4 CAGE (Proximal Fixation in PEEK)

Ph. Calas, A. Bloch, P. Chabrand, F. Lemonnier, S. Parratte.
Orthopedic Mastery - April 2012

A New Anterior Cruciate Ligament Reconstruction Fixation Technique (Quadrupled Semitendinosus Anterior Cruciate Ligament Reconstruction With Poletet Heret Herket One Cage Fixation)

Ph. Calas, M.D., N. Dorval, M.D., A. Bloch, M.D.,
JN. Argenson, M.D., Ph.D., and S. Parratte, M.D., Ph.D.
Arthroscopic Techniques, Vol 1, No 1 (September), 2012: pp e47-e52

Biomechanical Comparison of Two Fixation Systems for Short Grafts of «Four-Strand Semitendinosus» (DT4)

R. Limozin (Toulouse), Ph. Calas (Aix en Provence),
Ph. Billet (Toulon), A. Bloch (Aix en Provence),
JC. Grillo (Toulon), JL. Milan (Marseille), P. Chabrand (Marseille), S. Parratte (Marseille).
SFA Bordeaux - December 2013

1996 From DT4 to DT4 CAGE 2013 Evolution of DT4, 15 years of experience and 6000 cases

First author and presenter: Ph. Calas (Aix en Provence)
C. Schenk (Austria), S. Parratte (Marseille),
Ph. Billet (Toulon), A. Bloch (Aix en Provence),
E. Cohen (Marseille), JJ. Bougaut (Marseille),
M. Caillol (Marseille), R. Limozin (Toulouse), X. Flecher (Marseille).
SFA Bordeaux - December 2013

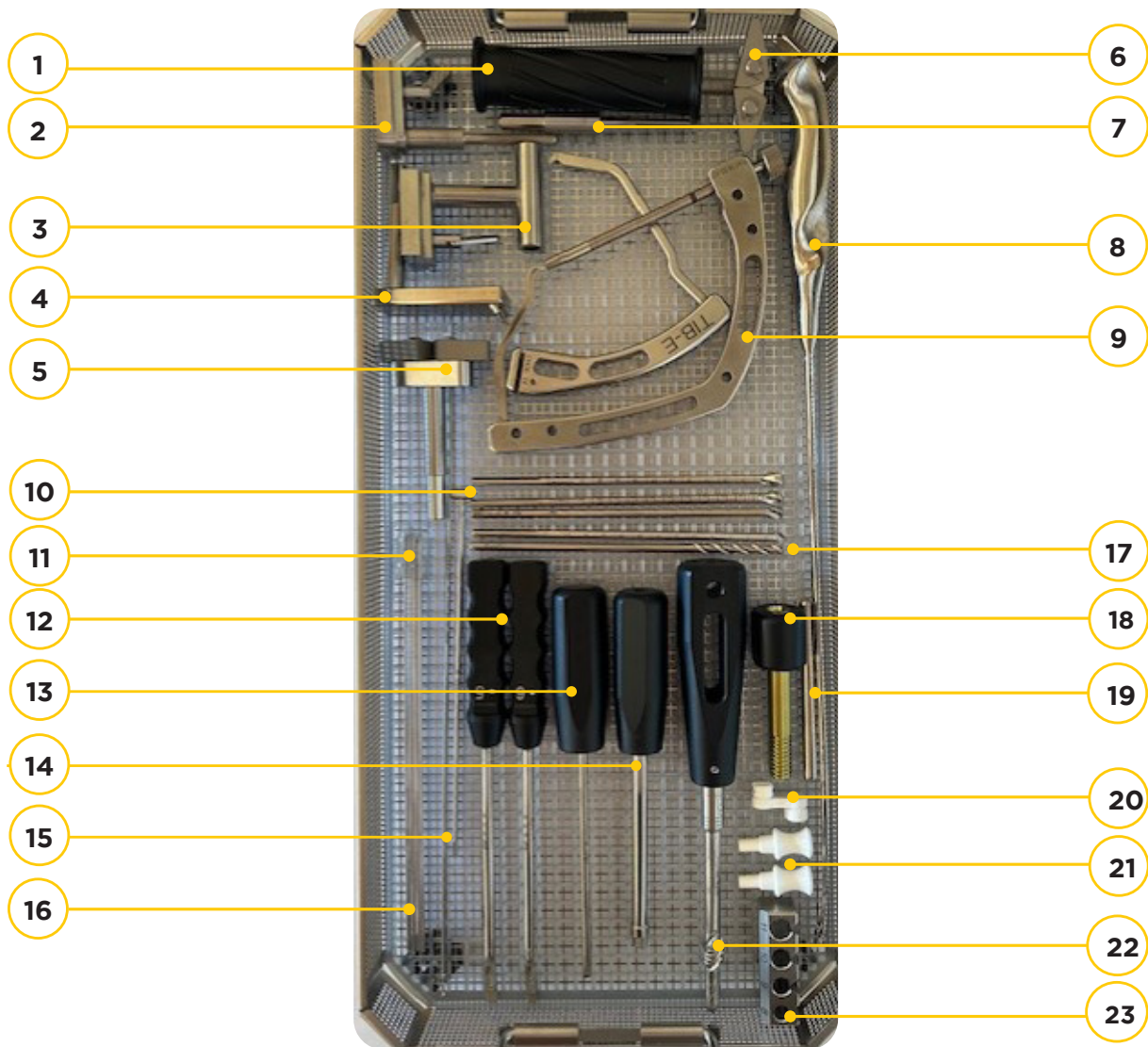
CE certificate



Technical documentation



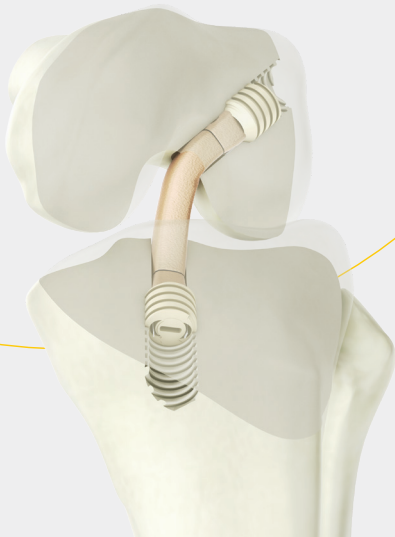
Cage Cage® Instruments



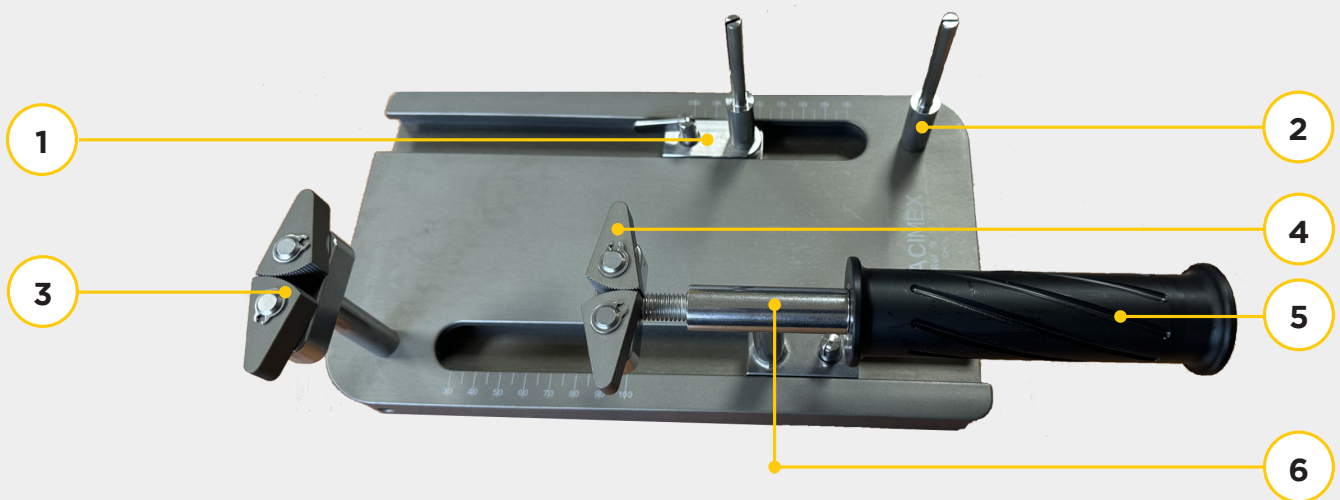
INSTRUMENTS

N°	PRODUCT	N°	PRODUCT
1	Tensionner	13	Screwdriver cage lock nut
2	Adjustable post	14	Cage screwdriver
3	Tension blocker guide	15	Wire pusher
4	Straight needle holder	16	Pin with eye Ø2.4 Lg 380mm
5	Straight blocker	17	Drill Ø 5.0
6	BTension blocker	18	Locking screw guide
7	Fixed post	19	Force rod (adaptable to the tap)
8	Streaper	20	Wire guide for tension table (fit on piece 2)
9	Tibial CC guide (TIB.CC) + Femoral CC guide	21	Cage plug
10	Ball drills (Ø 7; 8; 9; 10)	22	Tap Ø8.0
11	Pins Ø 2.4 Lg 230mm	23	Graft calibrator
12	5mm + 6mm offset femoral guides		

DT4 Cage Cage®



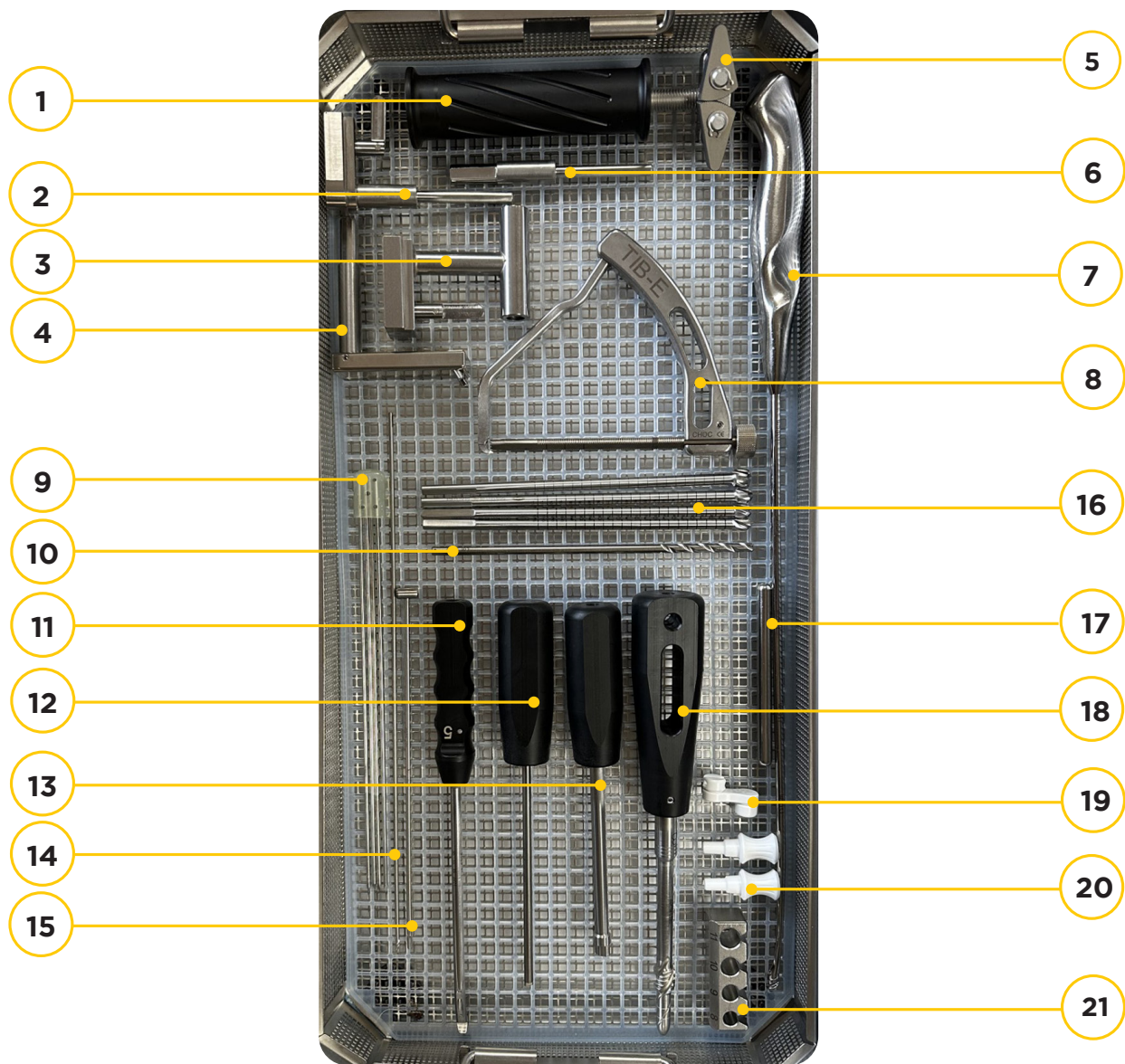
- 1 Cage Kit
- Single tendon
- 4 strands
- Short graft (5 to 6 cm)
- Double loop
- Pre-tensioned
- Calibrated
- Press fit
- Proximal fixations
- Strength > 500 Nw
- No splint
- No bone-to-graft contact



TENSION TABLE

N°	PRODUCT
1	Adjsutable post
2	Fixed post
3	Jaws
4	Tension blocker
5	Tensioner
6	Tension blocker guide

EBCA® Instruments



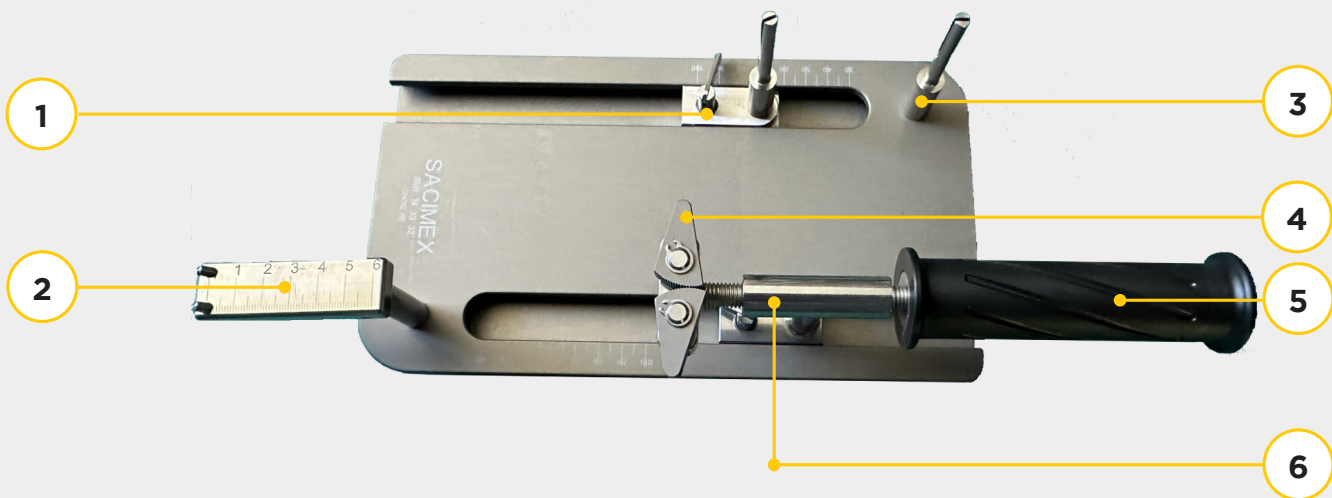
INSTRUMENTS

N°	PRODUCT	N°	PRODUCT
1	Tensioner	12	Tournevis vis de blocage
2	Tige porte fil guidé	13	Cage screwdriver
3	Guided wire holder	14	Pin with eye Ø2.4 Lg 380mm
4	TStraight wire holder	15	Wire pusher
5	Tension blocker	16	Ball drills (Ø 7; 8; 9; 10)
6	Fixed post	17	Force rod (adaptable to the tap)
7	Streaper	18	Tap Ø 8.0
8	EBCA Tibial guide (TIB.E)	19	Wire guide for tension table
9	Pins Ø 2.4 Lg 230mm	20	BCage plug
10	Drills Ø 5.0	21	Graft calibrator
11	5mm + 6mm offset femoral guide		

DT4 Button Cage[®] EBCA



- 1 Button Cagekit
- Single tendon
- 4 strands
- Short graft (5 à 6 cm)
- Double loop
- Pre-tensioned
- Calibrated
- Press fitt
- Adjustable button femoral fixation
- Tibiale cagefixation
- Strength > 500 Nw
- No splint
- No bone-to-graft contact



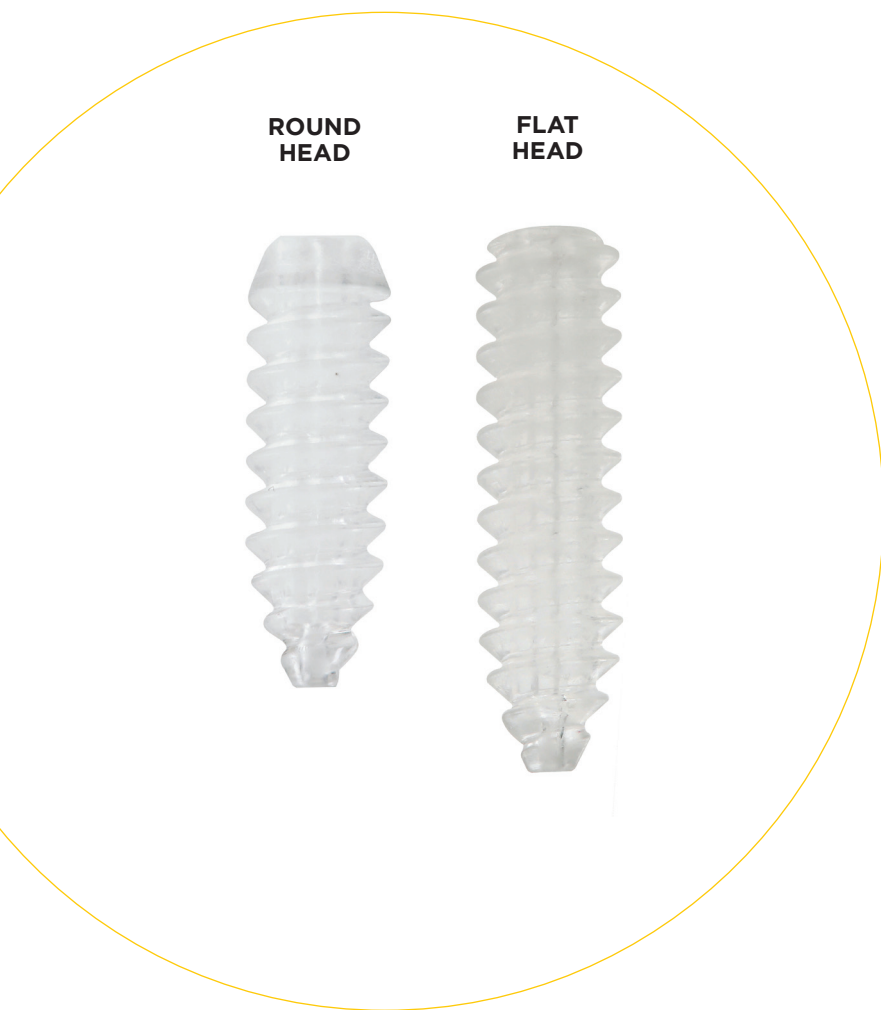
TENSION TABLE

N°	PRODUCT
1	Guided wire holder
2	Endobutton plate holder
3	Straight rod positioner
4	Tension blocker
5	Tensioner
6	Tension blocker guide

BIORESORBABLE

Ø 6 TO 11 MM

- Resorbable fixation screw for Ligamentoplasty
- 70/30 Polylactic D-Lactyl acid (PLDLA)



Round head

Ø	LG.	REF.
6	25	TM14110625
7	20	TM14110720
7	25	TM14110725
8	25	TM14110825
9	20	TM14110920

Flat head

Ø	LG.	REF.
7	30	TM14210730
8	30	TM14210830
9	25	TM14210925
9	30	TM14210930
10	25	TM14211025
10	30	TM14211030
11	30	TM14211130



+33 5 63 27 02 25



info@ortho-cape.com



172 rue Lépine 82000 Montauban
FRANCE

www.ortho-cape.com

N°TVA - FR 61 890810542

SIRET 890 810 542 00021 - APE 3250A

IBAN FR76 1027 8022 0000 0210 4320 276 - BIC CMCIFR2A