



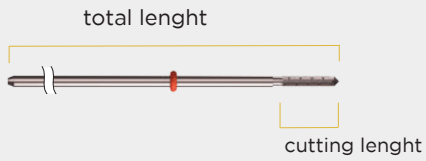
Ortho CAPE

FOOT SURGERY

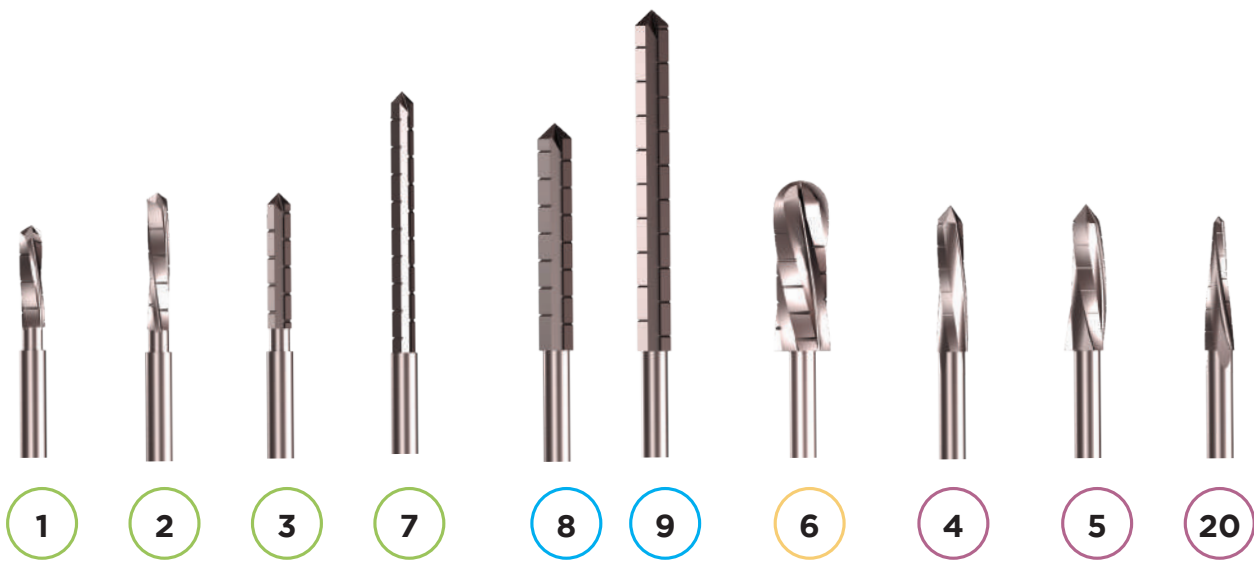
For any questions regarding our products,
contact us at info@ortho-cape.com

PERCUTANEOUS BURRS

OrthoCAPE



- X90CrMoV18 Steel burrs
- Percutaneous surgery
- Singly sterile packaging
- Standards burrs Ø 2.32 Lg 70



	N°	REF.	Ø	CUTTING LG	TOTAL LG
SHANNON SHORT	①	38.37.01	2 MM	8 MM	70 MM
SHANNON LONG	②	38.37.02	2 MM	12 MM	70 MM
SHANNON ISHAM	③	38.37.03	2 MM	12 MM	70 MM
WEDGE Ø3,1	④	38.37.04	3,1 MM	13 MM	70 MM
WEDGE Ø4,1	⑤	38.37.05	4,1 MM	13 MM	70 MM
BROPHY	⑥	38.37.06	5 MM	15 MM	70 MM
SHANNON XL	⑦	38.37.07	2 MM	22 MM	70 MM
SHANNON XXL	⑧	38.37.08	3 MM	20 MM	70 MM
SHANNON XXL LG 30	⑨	38.37.09	3 MM	30 MM	100 MM
CONICAL	⑳	38.37.20	3,1 MM	13 MM	70 MM

Available on special order :
 - Burrs length 50 mm et 65 mm
 - Tip Stryker

PERCUTANEOUS INSTRUMENTS

OrthoCAPE



N°	PRODUCT	REF.
1	Elevator	31.33.02
2	Bone lever	31.33.03
3	Bone rasp	31.33.01
4	Surgical beaver blade holder 15.5cm	6061
5	Beaver blades (box of 25) SM64	5904
6	Storage box	14.10.99

OUR RANGE OF SCREWS

SCREWDRIVER



Ø2.0 Ø2.5



Ø 3.0 Ø 4.0

MI SCREW

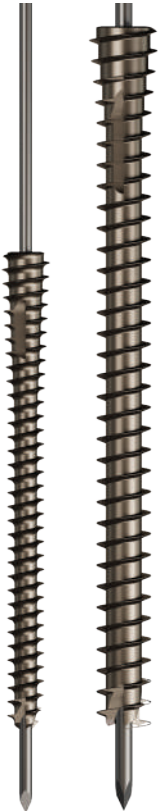
Ø2.5 Ø4.0



Ø 4.6 Ø 7.0

EAGLE

Ø2.5 Ø4.0



Ø 4.6 Ø 7.0

ARTHROSTAB

SCREWDRIVER



Ø2.0



Ø 2.0

MISS

Ø2.0



Ø2.0

S.B.S.

Torx T7



Ø 2.5

MY SCREW

Ø2.0



Ø 2.6

PPDA

Ø2.0



Ø 3.0

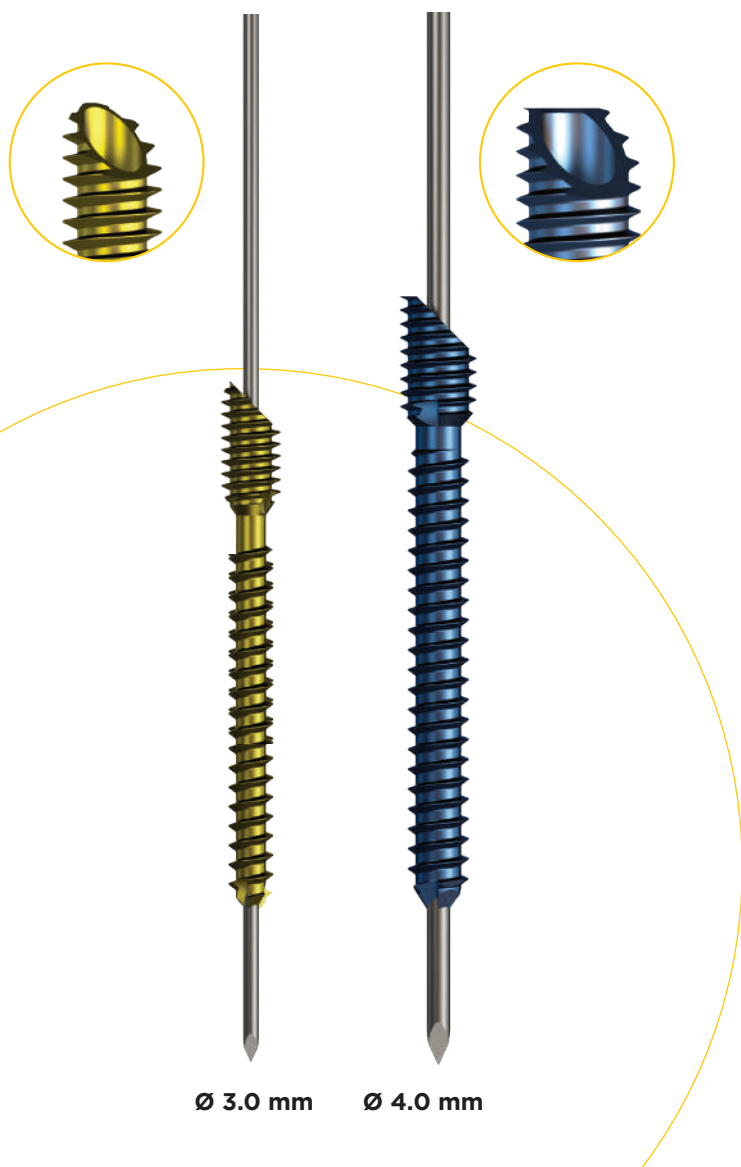
OUR REFERENCES

OrthoCAPE

SCREWS				
NAME	Ø	LONG.		REF.
MI SCREW Ø3.0	3.0	18 to 60 MM		38.92.xx
MI SCREW Ø4.0	4.0	32 to 60 MM		38.23.xx
EAGLE Ø4.6	4.6	20 to 60 MM		38.98.xx
EAGLE Ø7.0	7.0	30 to 90 MM	THREAD 16	38.99.xxA
EAGLE Ø7.0	7.0	55 to 90 MM	THREAD 22	38.99.xxB
EAGLE Ø7.0	7.0	70 to 90 MM	THREAD 28	38.99.xxC
ARTHROSTAB Ø4.6	4.6	20 to 60 MM		38.21.xx
ARTHROSTAB Ø7.0	7.0	30 to 90 MM		38.22.xx
MISS	2.0	13 to 22 MM		38.52.xx
S.B.S.	2.0	5 to 24 MM		14.52.xx
MY SCREW	2.5	12 to 34 MM		38.88.xx
PPDA Ø2.6	2.6	12 to 34 MM		38.49.xx
PPDA Ø3.0	3.0	12 to 34 MM		38.65.xx
Pin	0.8	70 MM		14.63.41
Pin	1.0	70 MM		14.63.01
Pin	1.0	150 MM	1 TIP	14.63.48
Pin	1.50	150 MM	1 TIP	14.63.44
Pin	2.2	200 MM	1 TIP	14.63.10

MI SCREW

Ø 3.0 MM Ø 4.0 MM



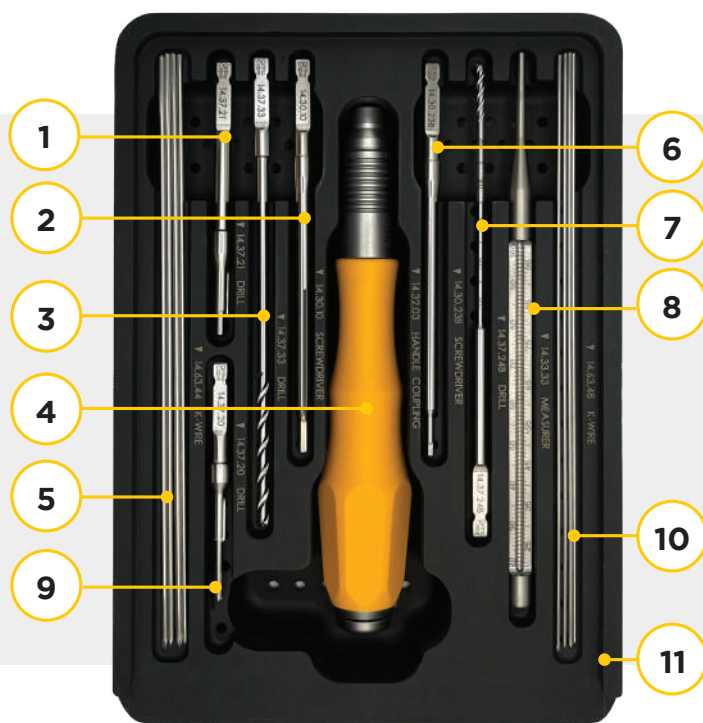
- Standard ISO 5832-3 Titanium screw
- Self-drilling self-tapping screw
- Forefoot
- Sterile packaging
- Pin (K-Wire) Ø 1.0 for Ø 3.0 mm screw
Pin (K-Wire) Ø 1.5 for Ø 4.0 mm screw

	Ø 3.0	Ø 4.0
LONG.	REF.	REF.
18	38.92.18	
20	38.92.20	
22	38.92.22	
24	38.92.24	
26	38.92.26	
28	38.92.28	
30	38.92.30	
32	38.92.32	38.23.32
34	38.92.34	38.23.34
36	38.92.36	38.23.36
38	38.92.38	38.23.38
40	38.92.40	38.23.40
42	38.92.42	38.23.42
44	38.92.44	38.23.44
46	38.92.46	38.23.46
48	38.92.48	38.23.48
50	38.92.50	38.23.50
52	38.92.52	38.23.52
54	38.92.54	38.23.54
56	38.92.56	38.23.56
58	38.92.58	38.23.58
60	38.92.60	38.23.60

Ø 3.0 mm Ø 4.0 mm

INSTRUMENTS

N°	PRODUCTS	REF.
1	Drill head for Ø 4.0 screw	14.37.21
2	Screwdriver blade for Ø 4.0 screw	14.30.10
3	Drill for Ø 4.0 screw	14.37.33
4	Screwdriver handle AO	14.32.03
5	K-wire Ø 1.50 Lg 150 mm 1 tip	14.63.44
6	Screwdriver blade for Ø 3.0 screw	14.30.23
7	Drill for Ø 3.0 screw	14.37.24
8	Measurer	14.33.33
9	Drill for head for Ø 3.0 screw	14.37.20
10	K-wire Ø 1.0 Lg 150 mm 1 tip	14.63.48
11	Storage box	14.10.01

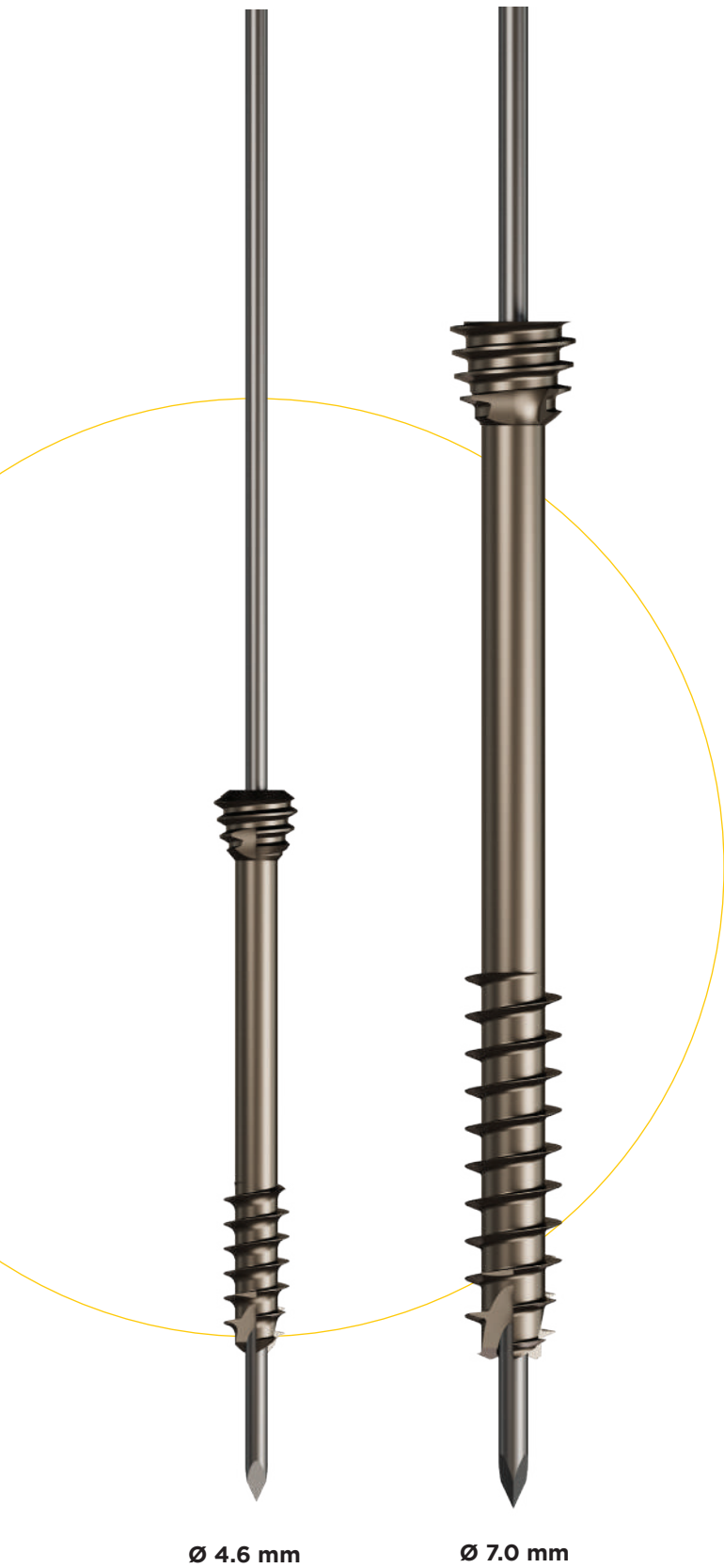


Version B

EAGLE

Ø 4.6 MM Ø 7.0 MM

- Standard ISO 5832-3 Titanium screw
- Mid and hindfoot
- Sterile packaging
- Pin (K-Wire) Ø 1.5 for Ø 4.6 mm screw
Pin (K-Wire) Ø 2.2 for Ø 7.0 mm screw

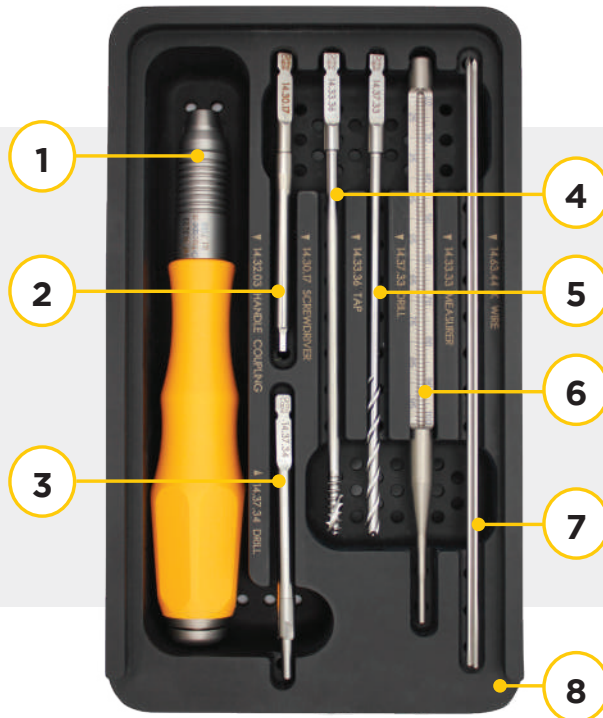


Ø 4.6 mm	
LONG.	REF.
20	38.98.20
22	38.98.22
24	38.98.24
26	38.98.26
28	38.98.28
30	38.98.30
32	38.98.32
34	38.98.34
36	38.98.36
38	38.98.38
40	38.98.40
42	38.98.42
44	38.98.44
46	38.98.46
48	38.98.48
50	38.98.50
52	38.98.52
54	38.98.54
56	38.98.56
58	38.98.58
60	38.98.60

Ø 7.0 mm					
LONG.	REF.	LONG.	REF.	LONG.	REF.
THREAD 16 MM		THREAD 22 MM		THREAD 28 MM	
30	38.99.30A				
35	38.99.35A				
40	38.99.40A				
45	38.99.45A				
50	38.99.50A				
55	38.99.55A	55	38.99.55B		
60	38.99.60A	60	38.99.60B		
65	38.99.65A	65	38.99.65B		
70	38.99.70A	70	38.99.70B	70	38.99.70C
75	38.99.75A	75	38.99.75B	75	38.99.75C
80	38.99.80A	80	38.99.80B	80	38.99.80C
85	38.99.85A	85	38.99.85B	85	38.99.85C
90	38.99.90A	90	38.99.90B	90	38.99.90C

EAGLE

Ø 4.6 MM Ø 7.0 MM



Ø 4.6 MM

INSTRUMENTS

PRODUCTS	REF.
1 Screwdriver handle AO	14.32.03
2 Screwdriver blade for Ø 4.6 screw	14.30.17
3 Drill head for Ø 4.6 screw	14.37.34
4 Tap Eagle Arthrostab Ø 4.6 screw	14.33.36
5 Drill for Ø 4.6 screw	14.37.33
6 Measurer	14.33.33
7 Pins Ø 1.5 Lg 150 mm 1 punta trocar	14.63.44
8 Storage box	14.10.96

screws are used with 1 tip pin
Ø 1.5 Lg 150 mm



Ø 7.0 MM

INSTRUMENTS

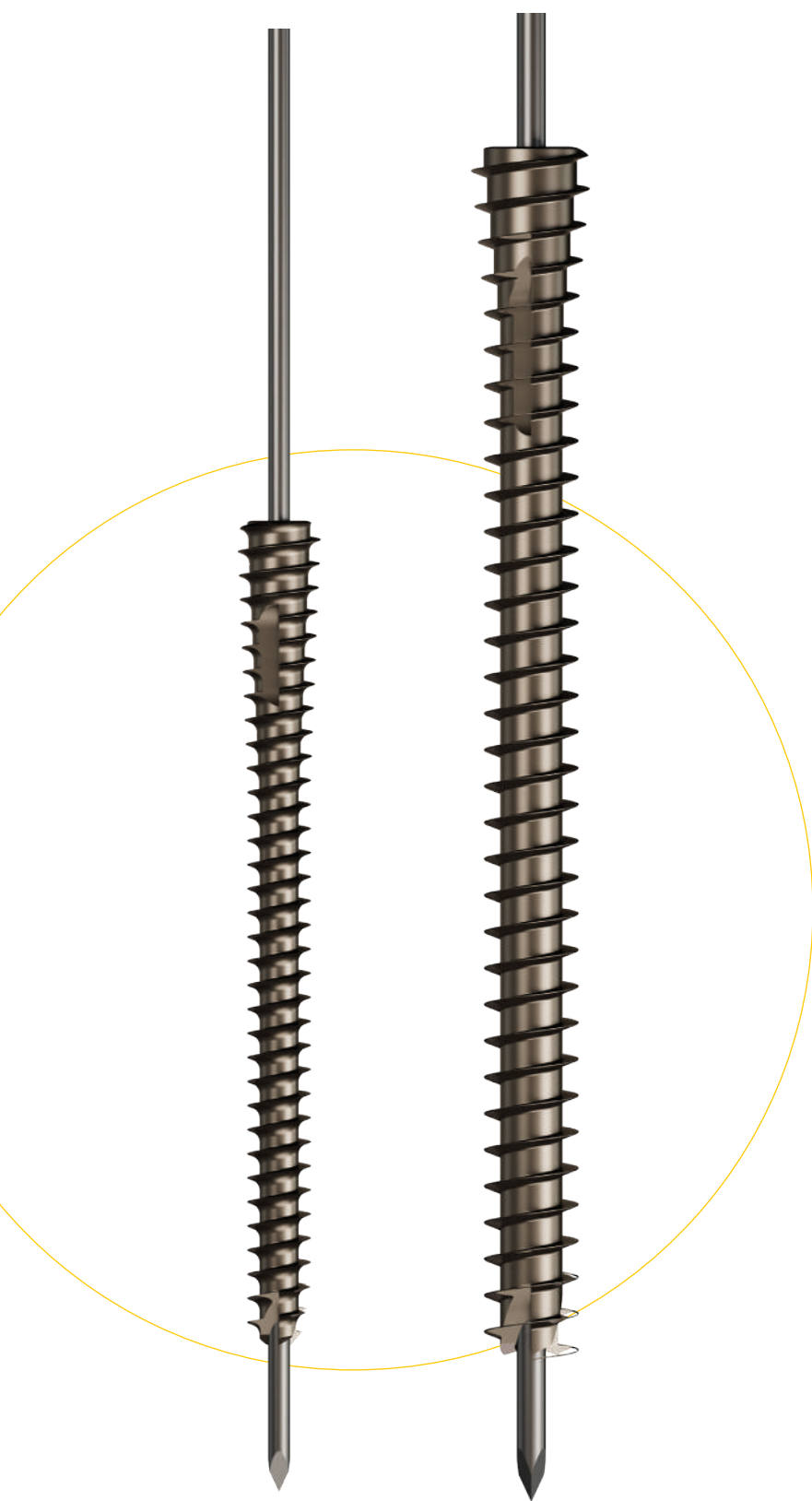
PRODUCTS	REF.
1 Screwdriver handle Eagle Arthrostab Ø 7.0 screw	14.32.04
2 Drill head for Ø 7.0 screw	14.37.35
3 Screwdriver blade canulated for Ø 7.0 screw	14.30.18
4 K-wire Ø 2.2 Lg 200 mm 1 tip	14.63.10
5 Measurer	14.33.34
6 Canulated drill for Ø 7.0 screw	14.37.36
7 Tap Eagle Arthrostab Ø 7.0 screw	14.33.35
8 Screw driver blade for Ø 7.0 screw	14.30.19
9 Storage box	14.10.97

screws are used with 1 tip pin
Ø 2.2 Lg 200 mm

ARTHROSTAB

Ø 4.6 MM Ø 7.0 MM

- Standard ISO 5832-3 Titanium screw
- Mid and hindfoot
- Sterile packaging
- Pin (K-Wire) Ø 1.5 for Ø 4.6 mm screw
Pin (K-Wire) Ø 2.2 for Ø 7.0 mm screw



Ø 4.6 mm

Ø 7.0 mm

Ø 4.6 mm

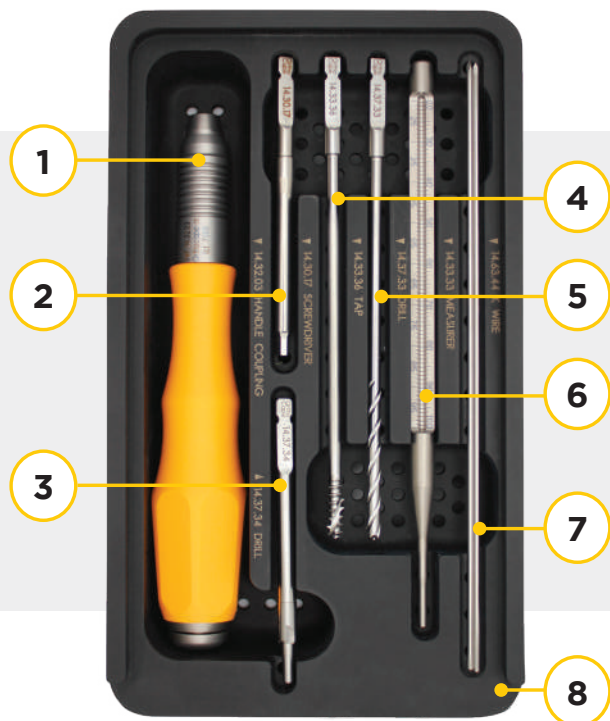
LONG.	REF.
20	38.21.20
22	38.21.22
24	38.21.24
26	38.21.26
28	38.21.28
30	38.21.30
32	38.21.32
34	38.21.34
36	38.21.36
38	38.21.38
40	38.21.40
42	38.21.42
44	38.21.44
46	38.21.46
48	38.21.48
50	38.21.50
52	38.21.52
54	38.21.54
56	38.21.56
58	38.21.58
60	38.21.60

Ø 7.0 mm

LONG.	REF.
30	38.22.30
35	38.22.35
40	38.22.40
45	38.22.45
50	38.22.50
55	38.22.55
60	38.22.60
65	38.22.65
70	38.22.70
75	38.22.75
80	38.22.80
85	38.22.85
90	38.22.90

ARTHROSTAB

Ø 4.6 MM Ø 7.0 MM



Ø 4.6 MM

INSTRUMENTS

	PRODUCTS	REF.
1	Screwdriver handle AO	14.32.03
2	Screwdriver blade for Ø 4.6 screw	14.30.17
3	Drill head for Ø 4.6 screw	14.37.34
4	Tap Eagle Arthrostab Ø 4.6 screw	14.33.36
5	Drill for Ø 4.6 screw	14.37.33
6	Measurer	14.33.33
7	Pins Ø 1.5 Lg 150 mm 1 punta trocar	14.63.44
8	Storage box	14.10.96

screws are used with 1 tip pin
Ø 1.5 Lg 150 mm



Ø 7.0 MM

INSTRUMENTS

	PRODUCTS	REF.
1	Screwdriver handle Eagle Arthrostab Ø 7.0 screw	14.32.04
2	Drill head for Ø 7.0 screw	14.37.35
3	Screwdriver blade canulated for Ø 7.0 screw	14.30.18
4	K-wire Ø 2.2 Lg 200 mm 1 tip	14.63.10
5	Measurer	14.33.34
6	Canulated drill for Ø 7.0 screw	14.37.36
7	Tap Eagle Arthrostab Ø 7.0 screw	14.33.35
8	Screw driver blade for Ø 7.0 screw	14.30.19
9	Storage box	14.10.97

screws are used with 1 tip pin
Ø 2.2 Lg 200 mm

MISS

Ø 2.0 MM

- Standard ISO 5832-3 Titanium screw
- Twist-off, self-drilling and self-tapping screw
- Forefoot
- Sterile packaging



Ø 2.0 mm

Ø 2.0	
LONG.	REF.
13	38.52.13
15	38.52.15
17	38.52.17
19	38.52.19
22	38.52.22

INSTRUMENTS

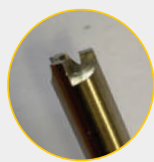
N°	PRODUCTS	REF.
1	Trocar MISS	14.33.25
2	Screwdriver blade MISS	14.30.12
3	Screwdriver handle MISS	14.31.12
4	Cutting guide left	14.33.39
5	Cutting guide right	14.33.39



1

**Trocar
MISS**

14.33.25



2

**Screwdriver
blade
MISS**

14.30.12

3



Screwdriver handle AO

4

**Cutting
guide left**

14.33.39



5

**Cutting
guide right**

14.33.39

SBS

Ø 2.0

- Standard ISO 5832-3 Titanium screw
- Twist-off, self-drilling and self-tapping screw
- Forefoot
- Sterile packaging



Ø 2.0mm

Ø 2.0 mm

LONG.	RÉF.
05	14.52.05
06	14.52.06
07	14.52.07
08	14.52.08
09	14.52.09
10	14.52.10
11	14.52.11
12	14.52.12
13	14.52.13
14	14.52.14
15	14.52.15
16	14.52.16
17	14.52.17
18	14.52.18
19	14.52.19
20	14.52.20
21	14.52.21
22	14.52.22
23	14.52.23
24	14.52.24

INSTRUMENTS

N°	PRODUCTS	REF.
1	Screwdriver blade SBS	14.30.02
2	Screwdriver handle AO	14.32.03



MY SCREW

Ø 2.5 MM



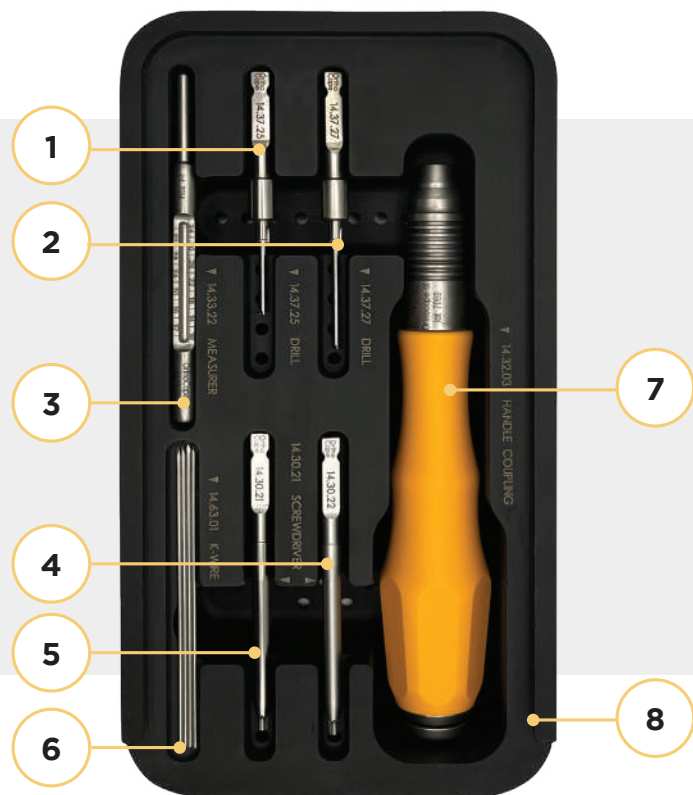
Ø 2.5 mm

- Standard ISO 5832-3 Titanium screw
- Self-drilling self-tapping screw
- Forefoot
- Sterile packaging
- K-wire Ø 1.0 for Ø 2.5 mm screw

Ø 2.5 mm	
LONG.	REF.
12	38.88.12
14	38.88.14
16	38.88.16
18	38.88.18
20	38.88.20
22	38.88.22
24	38.88.24
26	38.88.26
28	38.88.28
30	38.88.30
32	38.88.32
34	38.88.34

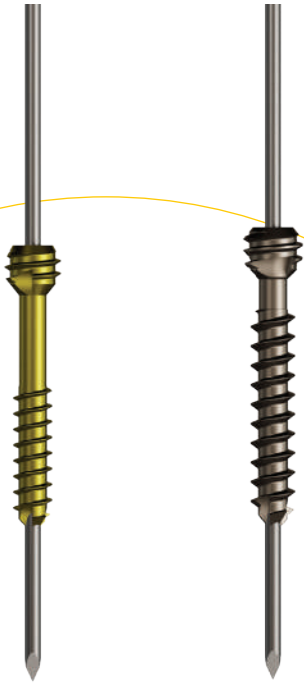
INSTRUMENTS

N°	PRODUCTS	REF.
1	Canulated drill for Ø2.5 screw	14.37.25
2	Canulated drill for Ø2.5 screw XL	14.37.27
3	Measurer	14.33.22
4	Screwdriver blade Torx 7	14.30.22
5	Screwdriver blade Torx 7 canulated	14.30.21
6	K-wire Ø 1.0 Lg 70 mm	14.63.01
7	Screwdriver handle AO	14.32.03
8	Storage box	14.10.88



PPDA

Ø 2.6 MM Ø 3.0 MM



Ø 2.6 mm

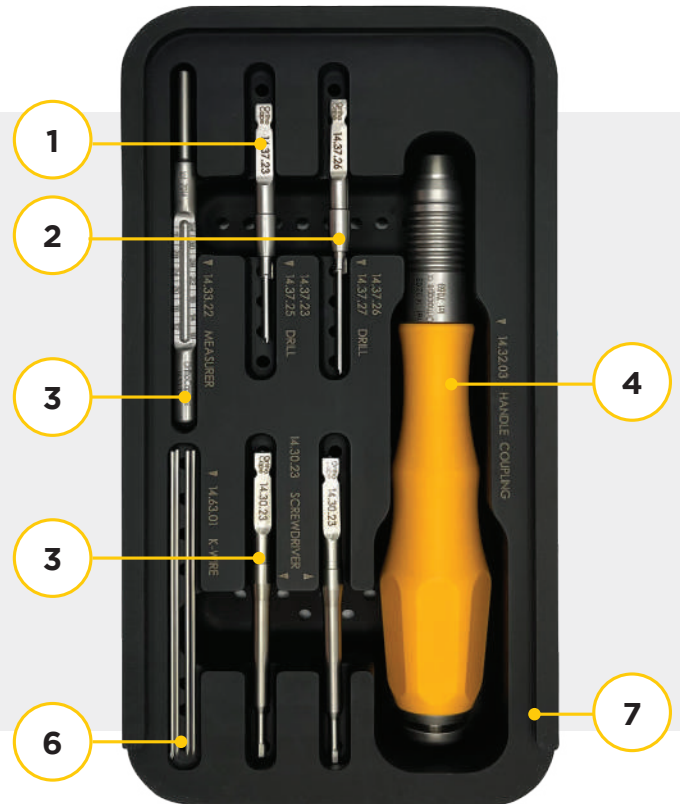
Ø 3.0 mm

- Standard ISO 5832-3 Titanium screw
- The Self-drilling PPDA® Screw is a Perforated Auto Compression Variable Pitch screw
- Forefoot
- Sterile packaging
- K-wire Ø 1.0 for Ø 2.6 et Ø 3.0 screw

Ø 2.6 mm		Ø 3.0 mm	
LONG.	REF.	LONG.	REF.
12	38.49.12	12	38.65.12
14	38.49.14	14	38.65.14
16	38.49.16	16	38.65.16
18	38.49.18	18	38.65.18
20	38.49.20	20	38.65.20
22	38.49.22	22	38.65.22
24	38.49.24	24	38.65.24
26	38.49.26	26	38.65.26
28	38.49.28	28	38.65.28
30	38.49.30	30	38.65.30
32	38.49.32	32	38.65.32
34	38.49.34	34	38.65.34

INSTRUMENTS

N°	PRODUCTS	REF.
1	Canulated drill for PPDA Ø 2.6	14.37.25
2	Canulated drill for PPDA Ø 3.0	14.37.23
3	Measurer	14.33.22
4	Canulated drill XS for PPDA Ø 2.6	14.37.27
5	Screwdriver blade for PPDA Ø2.6 & Ø3.0	14.30.23
6	K-wire Ø 1.0 Lg 70 mm	14.63.01
7	Screwdriver handle AO	14.32.03
8	Storage box	14.10.88

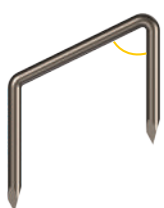


VARISATION STAPLES

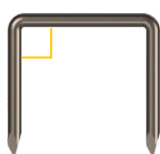
ANGLE 26° OR 90°

- 316L ISO 5832-1 stainless steel
- Sterile packaging
- Osteotomy AKIN

	ANGLE 26°	ANGLE 90°
DISTANCE 8 mm	14.55.04	14.55.02
DISTANCE 10 mm	14.55.03	14.55.01



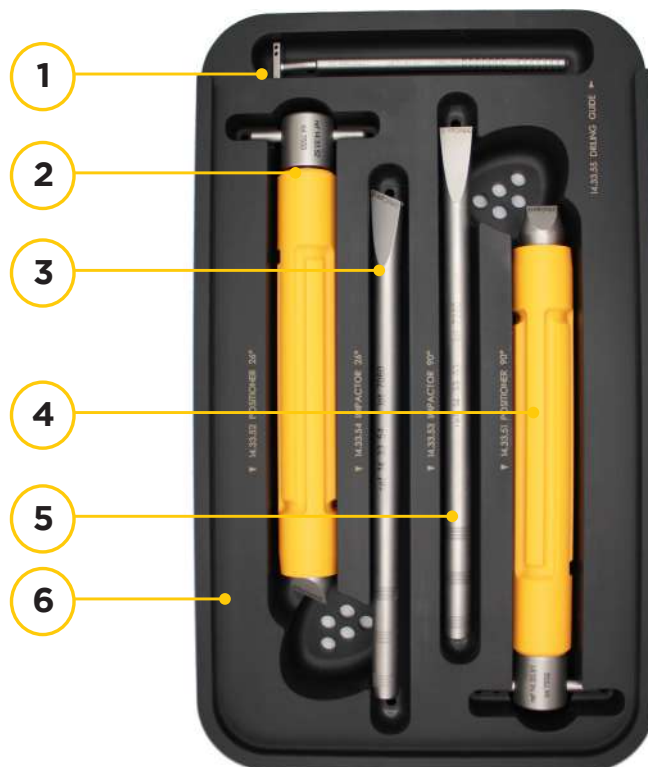
ANGLE 26°



ANGLE 90°

INSTRUMENTS

N°	PRODUCTS	REF.
1	Drilling guide	14.33.55
2	Positioner 26°	14.33.52
3	Impactor 26°	14.33.54
4	Positioner 90°	14.33.51
5	Impactor 90°	14.33.53
6	Storage box	14.10.50



THREADED PIN

LENGHT 150 MM

- 316L ISO 5832-1 pin
- Extremitie triangular
- Singly sterile packaging Pin + ball



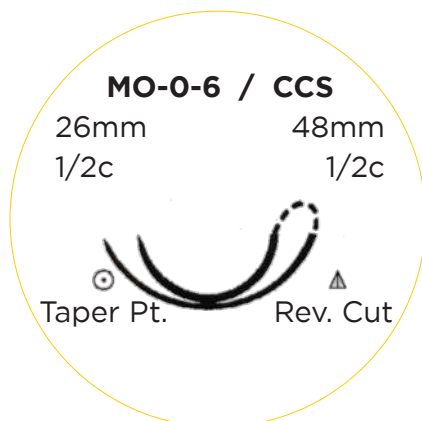
THREADED PINS AND ANTI-MIGRATION BALL

LENGHT. 150 mm

DIAMETER	REF.
Threaded pins Ø 1.0 mm + anti-migration ball	38.63.13/18
Threaded pins Ø 1.2 mm + anti-migration ball	38.63.14/18
Threaded pins Ø 1.5 mm + anti-migration ball	38.63.15/19
Threaded pins Ø 1.8 mm + anti-migration ball	38.63.16/20
Threaded pins Ø 2.0 mm + anti-migration ball	38.63.17/20

TENDON REPAIR

HS 530



- USP 5 / SIZE 7
- Ø 0.7
- Length : 90 cm
- Color : white & green
- Needles 1/2c 26 mm and 1/2c 48 mm
- Non-absorbable surgical suture UHMWPE
- Double needle sutures

KNEE / ANKLE / HIP



Very easy clamping

USES

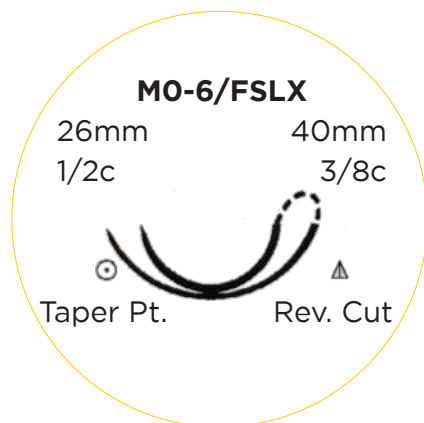
- reinforcement and reinsertion ligament and tendinous
- ideal suture and anchorage on knees hip and ankle

Download CE certificate



SHOULDER REPAIR FIBER TAPE

HS 1071



- USP 2 (SIZE 5) 0.50mm to 0.599mm
- 0.50 mm flat ribbon
- Length : 100 cm
- Color: blue
- Needles : 1/2 26 mm and 3/8 40 mm
- Non-absorbable surgical suture tape UHMWPE
- Double needle sutures

SHOULDER

Reinforcement suture in flat ribbon form

Provides a support surface more important while limiting shear risks.

THE REFERENCE THREAD
FOR
SHOULDER SURGERY



USES

- Ligament reinforcement
- Tendon anchorage
- Reconstruction
- Tissue approximation

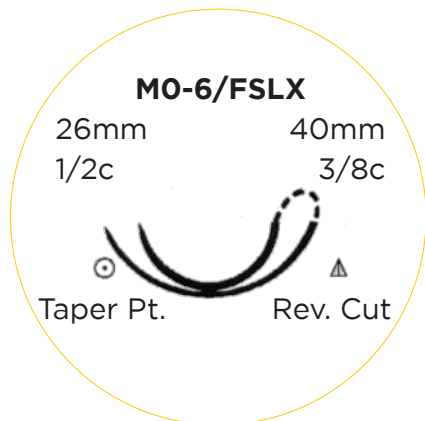
Download CE certificate



SHOULDER AND ANKLE REPAIR FIBER TAPE

HS 1072

- USP 2 (SIZE 5) 0.50mm to 0.599mm
- 0.50 mm flat ribbon
- Length : 100 cm
- Color: blue & white
- Needles : 1/2 26 mm and 3/8 40 mm
- Non-absorbable surgical suture tape UHMWPE
- Double needle sutures



SHOULDER / ANKLE

Reinforcement suture in flat ribbon form

Provides a support surface more important while limiting shear risks

Two-tone thread for better visibility under arthroscopy

USES

- Ligament reinforcement
- Tendon anchorage
- Reconstruction
- Tissue approximation

Download CE certificate





TEL. +33 5 63 27 02 25



info@ortho-cape.com



172 rue Lépine
82000 Montauban
FRANCE

Download CE certificate



www.ortho-cape.com



IBAN FR76 1027 8022 0000 0210 4320 276 - BIC CMCIFR2A
N°VAT - FR 61 890810542
SIRET 890 810 542 00021 - APE